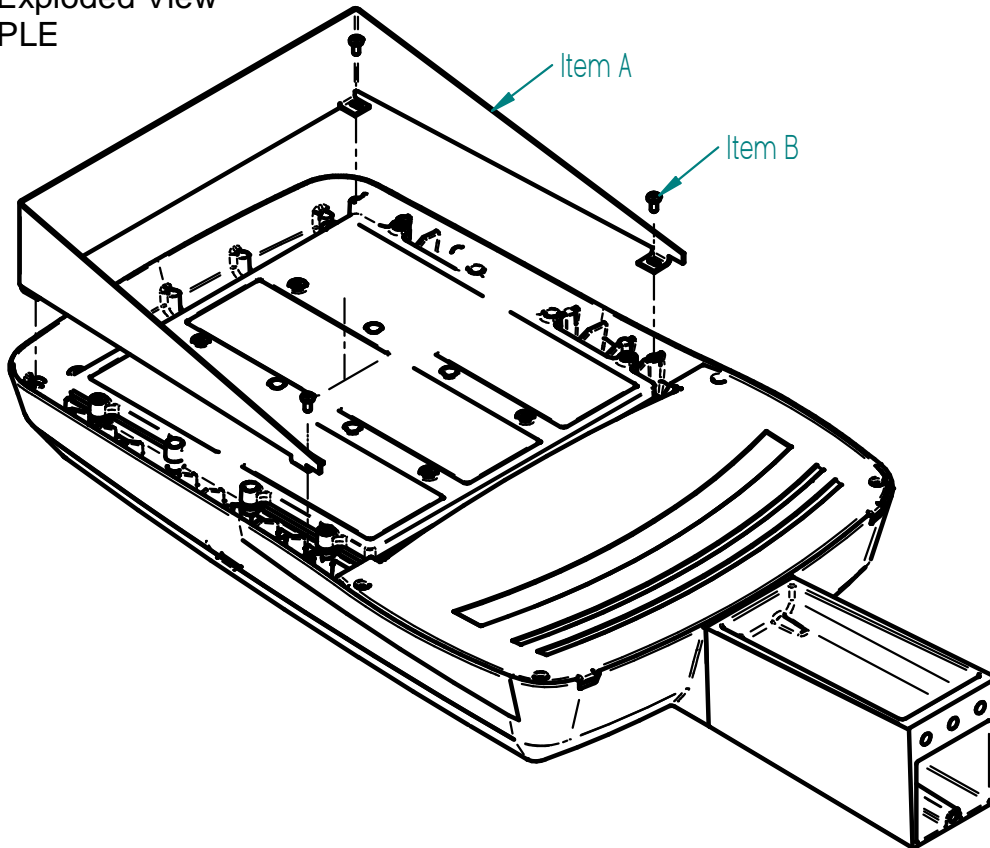


VPR2 FLOOD VISOR

ACCESSORY

Fig 1, Exploded View
EXAMPLE



Mounting Notes:

These instruction steps apply to the installation of the visors for all sizes of the Viper 2 Flood Fixture

Fasten the visor (Item A) in place utilizing the provided thread-forming screws (Item B) and outer bosses on the light engine casting. Note: it may be helpful to pre-thread the screws into the mounting bosses or drill out the boss with a 5/32" drill bit before installing the shields in order to ensure ease of assembly.

Needed Tools:

T20 Torx screwdriver or driver bit with with a shank preferably 6 inches long.
Optional: 5/32" drill bit.

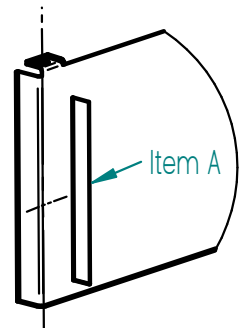
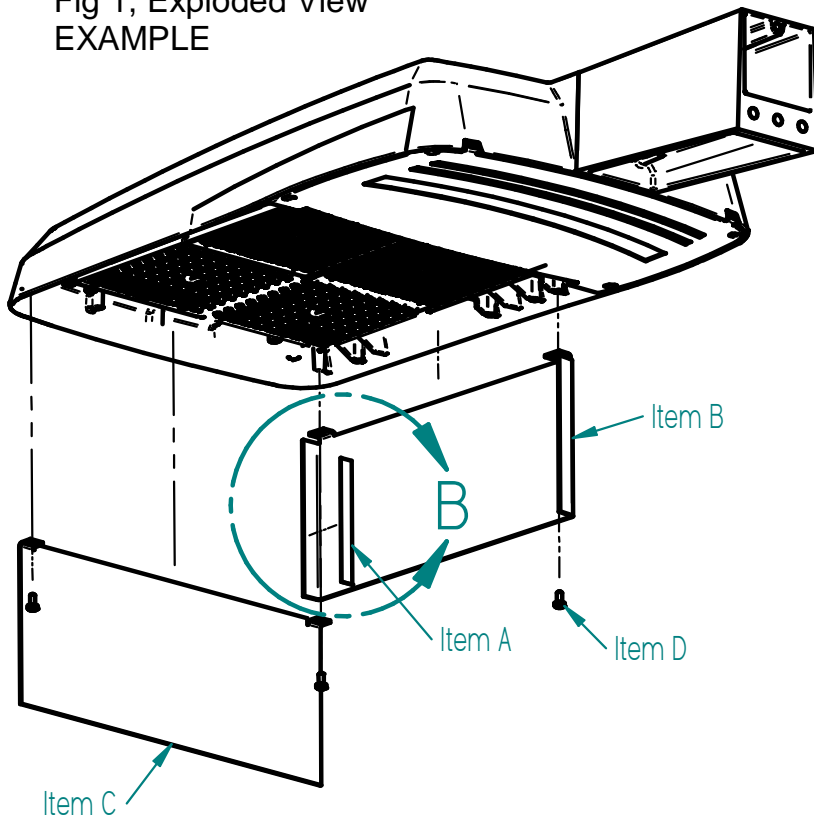
Shipping Package Contents:

Visor
(4) Thread-forming screws 8-32x.375

VPR2 HOUSE SIDE SHIELD

ACCESSORY

Fig 1, Exploded View
EXAMPLE



DETAIL B

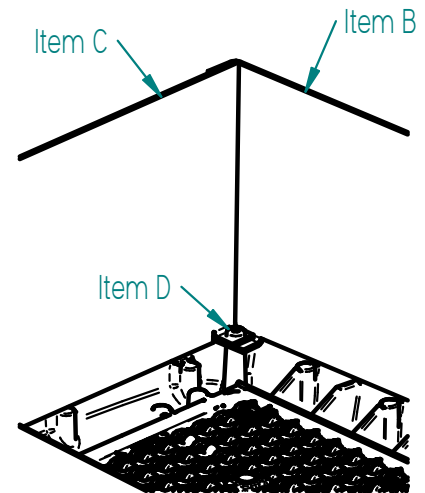


Fig 2, Final Assembly

Mounting Notes:

These instruction steps apply to the installation of the side, front, or back panels for all sizes of the Viper 2 fixtures.

1. If side panels are to be used in conjunction with either front or back panels in any configuration, remove one side of double-sided tape backing and adhere the exposed side of each piece of tape (Item A) to the inside of the outer bends on the side panels (Item B), as shown in Detail A of Figure 1.
2. Remove the remaining side of tape backing and securely locate the front (Item C) or back panel mounting holes in line with the side panel mounting holes before compressing the pieces together. Once the panels are properly aligned, apply pressure to the joint and hold for at least 10 seconds. This will ensure a solid hold to keep the pieces aligned during installation.
3. Fasten the shield assembly in place utilizing the provided thread-forming screws (Item D) and outer bosses on the light engine casting (Fig. 2). Note: it may be helpful to pre-thread the screws into the mounting bosses or drill out the boss with a 5/32" drill bit before installing the shields in order to ensure ease of assembly.

Needed Tools:

T20 Torx screwdriver or driver bit with with a shank preferably 6 inches long.
Optional: 5/32" drill bit.

Shipping Package Contents:

House Side Shield Panel(s)
Double-sided VHB Tape
Thread forming screws (3) 8-32x.375

VPR2 HOUSE SIDE SHIELD

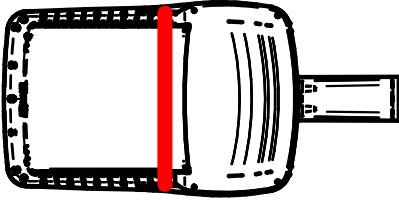
ACCESSORY

NOMENCLATURE:

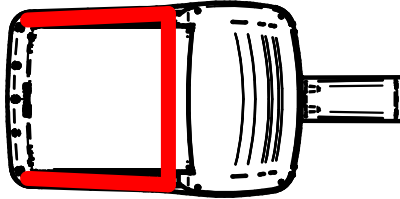
"x" denotes size 1, 2, 3, or 4

"xx" denotes color selection (DBT, GTT, WHT, etc.)

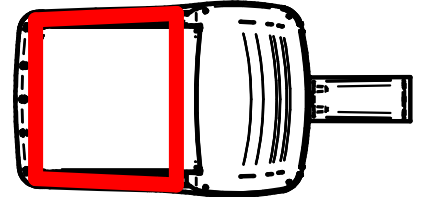
VPR2x HSS-90-B-xx



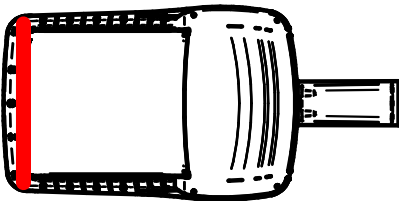
VPR2x HSS-270-BSS-xx



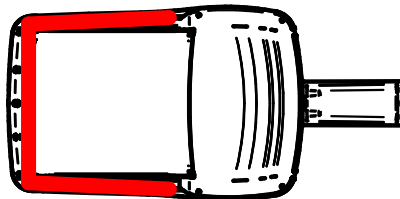
VPR2x HSS-360-xx



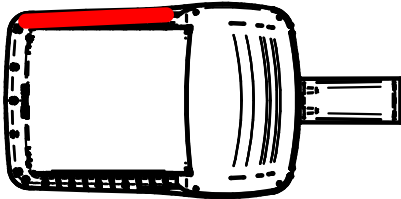
VPR2x HSS-90-F-xx



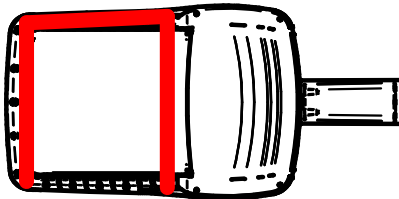
VPR2x HSS-270-FSS-xx



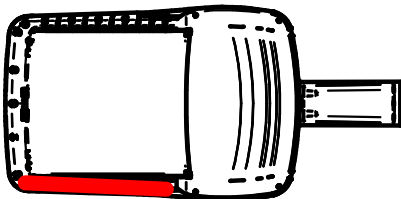
VPR2x HSS-90-S-xx



VPR2x HSS-270-FSB-xx



VPR2x HSS-90-S-xx



VPR2x HSS-270-FSB-xx

